

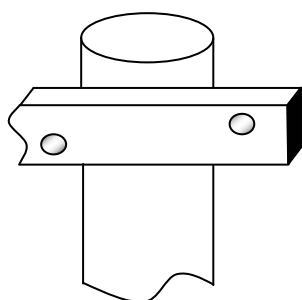
## LPDA-A0021

### Packing Check List

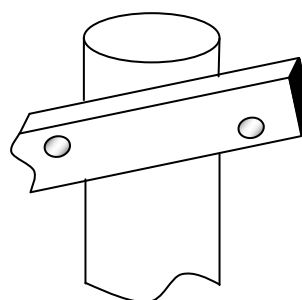
Item	Description	Quantity
	For LPDA-A0021	
1.	LPDA-A0021 Antenna with 0.5m HDF SMA(m) cable	1
	For LPDA-A0021-01	
1.	LPDA-A0021 Antenna with 7m HDF SMA(m) cable	1
	For LPDA-A0021-02	
1.	LPDA-A0021 Antenna with 0.5m HDF N(f) cable	1
	For LPDA-A0021-03	
1.	LPDA-A0021 Antenna with 7m HDF N(f) cable	1
	For LPDA-A0021-04	
1.	LPDA-A0021 Antenna with 13.5m HDF SMA(m) cable	1
	For all versions	
	Bracket Kit:	
3.	Econo-bracket	1
4.	U-Bolt (SS) M6x60x90mm	1
5.	M6 Washers (SS)	2
6..	M6 Nuts (SS)	2

### Installation Instructions

- The mounting holes on the antenna larger boom have been pre-drilled to allow either an exact horizontal mounting or a 20 degree downtilt. Refer to the figure below for correct mounting orientation in either case.



Horizontal Alignment



Downtilt

- With the econo-bracket placed up against the end of the larger antenna boom in line with the provided mounting holes, such that the elements are VERTICAL, secure the antenna to a mast or other suitable structure using the U-Bolt, washers and wingnuts provided.
- Be sure to provide strain release for the cable by securing it to the mounting structure near the antenna using a cable-tie (not provided).

### Operational Instructions

- Connect a device appropriate device or suitable cable extension to the antenna via the SMA-connector on the end of the cable attached to the antenna.
- The antenna is now ready for use.