

OMNI-A0050

Packing Check List

Item	Description	Quantity
	For OMNI-A0050	
1.	OMNI-A0050 Antenna	1
2.	6mm Wall Plugs	2
	BRKT-008 (Ordered Separately)	
1	M6 Nuts - SS	2
2	M6 Flat washers - SS	2
3	M6 x 90mm U-Bolt -SS	1
4	Econo Bracket	1

Installation Instructions

Mounting the enclosure

1. This vertically polarised, 8dBi, omni directional antenna is developed for the 2.4-2.5 GHz band.
2. OMNI-A0050 is ideal for the realisation of point to multipoint communication platforms.
3. This antenna can be mounted on a wall using the wall plugs (6mm concrete drill bit required) or onto a pole using BRKT-008.
4. For outside installation thoroughly seal connector with self vulcanising tape to stop water ingress.
5. Strain relieve the cable

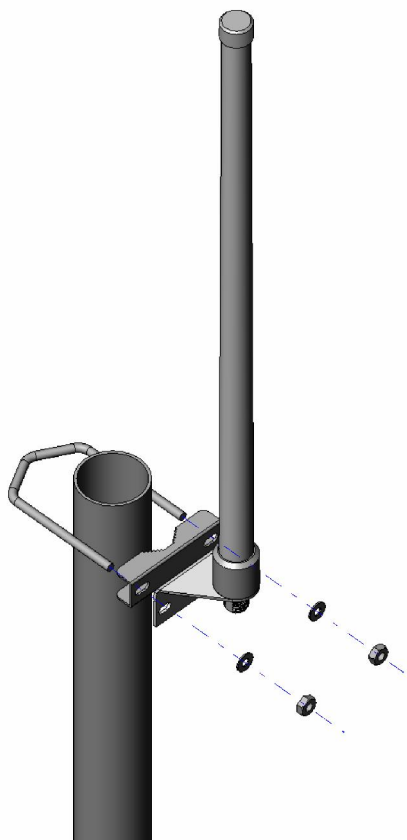


Figure 1: Mounting using BRKT-008



Figure 2: Wall mounting