

## PANL-A0005

### Packing Check List

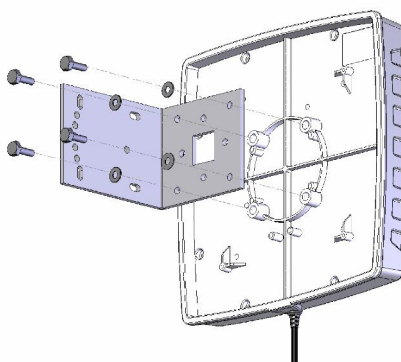
Item	Description	Quantity
<i>For PANL-A0005</i>		
1.	PATCH-A0005 Antenna with 30cm RG58 with N-type (f) crimp	1
2.	M6x16mm hex bolt	4
3.	M6 star washer	4
<i>For PANL-A0005-01</i>		
1.	PANL-A0005 Antenna with 30cm RG58 with RP TNC Connector	1
2.	M6x16mm hex bolt	4
3.	M6 star washer	4
<i>For PANL-A0005-02</i>		
1.	PANL-A0005 Antenna with 60cm RG58 with SMA(m)	1
2.	M6x16mm hex bolt	4
3.	M6 star washer	4
<i>For PANL-A0005-03</i>		
1.	PANL-A0005 Antenna with 1m RG58 with N(m)	1
2.	M6x16mm hex bolt	4
3.	M6 star washer	4
<i>For PANL-A0005-04</i>		
1.	PANL-A0005 Antenna with 7.5m HDF195 with SMA(m)	1
2.	M6x16mm hex bolt	4
3.	M6 star washer	4
<i>Universal 'L' Bracket Kit – BRKT-A009 (if ordered)</i>		
4.	Universal Bracket (Aluminium)	1
5.	M6 x 90mm U-Bolt SS	2
6.	Econo bracket	2
7.	M6 Flat Washer SS	4
8.	M6 Nut SS	4
<i>Wall Mount Bracket Kit – BRKT-A011 (if ordered)</i>		
9.	Wall Mountl Bracket (Stainless Steel)	1
10.	6mm Easyfit Wallplugs	2
11.	Nylon Spacer	2
12.	Self Tapping Screws 6x9.5	2

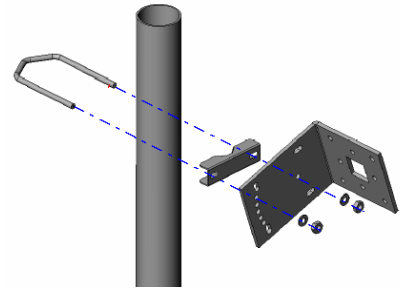
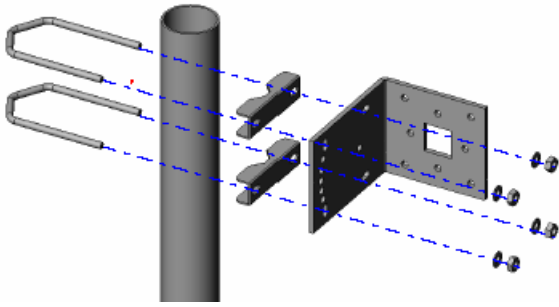
### Installation Instructions

#### **Pole Mounting**

1. Attach the L bracket to the antenna by means of the four M6 bolts and M6 flat washers provided.
2. Attach the assembly to a mast (diameter 32-50mm) using the Econo-bracket assembly as shown in the figure below
3. Use only one Econo-bracket and U- bolt mounted through different holes to achieve a desired tilt angle.

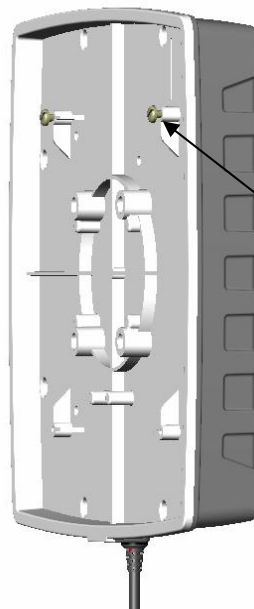
#### **Pole Mounting**





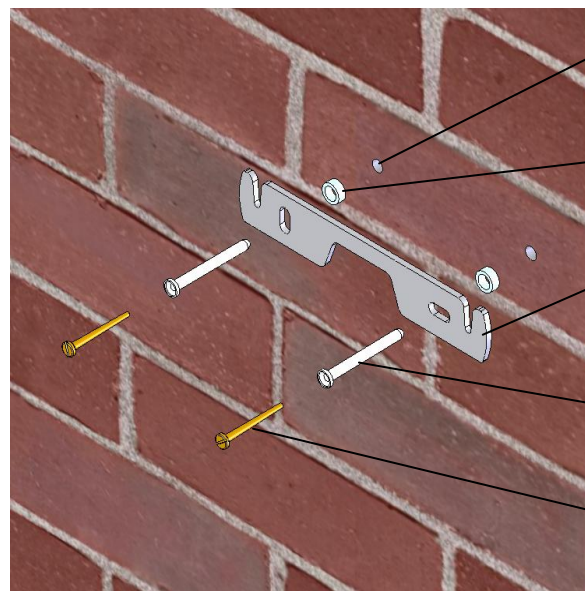
**Wall Mounting**

1. Leave a 3mm gap between the screw head and the boss when fastening the two bracket mounting screws to the antenna as shown below.
2. Use the bracket to mark the hole positions and drill the fischer plug holes into the wall.
3. Assemble the bracket kit and spacers as indicated and below and Hang the Antenna.



3mm Boss to screw head gap.

**Screw Fastening Gap**



Fischer Plug hole

Bracket spacer

Wall Mount Bracket

Fischer Plug

Plug Screw

**Wall Mount Preparation**